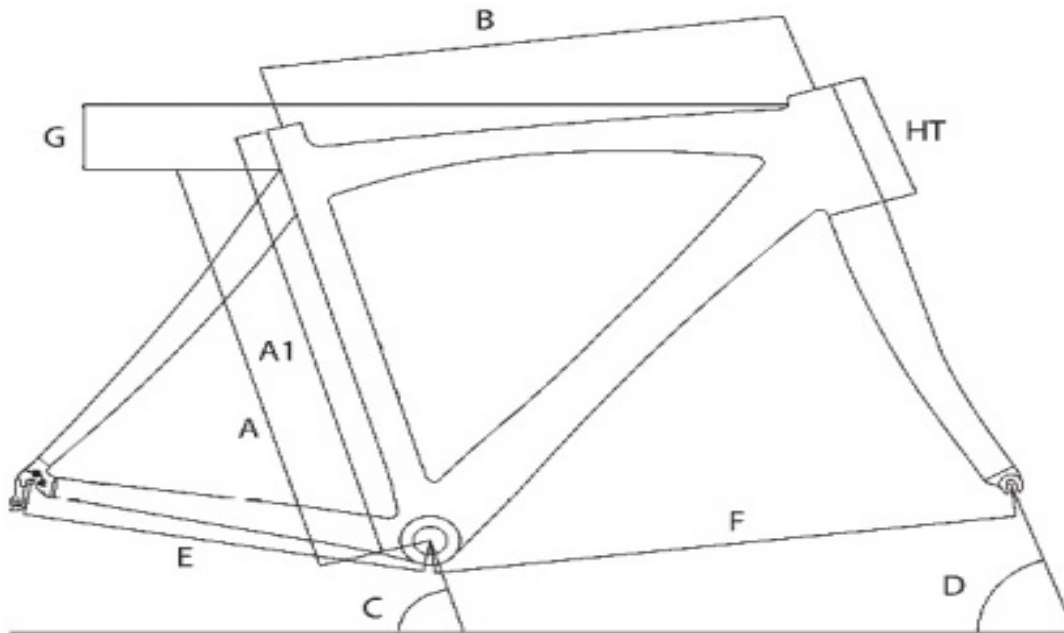


FRAME GEOMETRY:



FRAME SPECS:

A1	Bike size	cm	45	48	51	53	56	58	61
B	Top Tube	cm	50,5	51,0	52,5	54,5	56,0	57,5	59,0
R	Reach	cm	376,8	376,4	380,0	386,3	388,1	390,7	389,1
S	Stack	cm	511,9	516,9	541,1	553,6	580,1	603,0	637,4
C	Seat Tube Angle	g°	76,0	75,0	75,0	74,0	73,5	73,0	72,5
D	Steering Tube Angle	g°	71,8	71,8	72,0	72,3	73,5	73,5	74,0
E	Chain-stays Lenght	cm	40,0	40,0	40,0	40,4	40,6	40,6	41,0
F	BB to Fork Lenght	cm	57,3	57,6	58,4	58,6	59,0	59,9	60,2
G	Slope	cm	7,4	5,4	4,9	5,1	4,9	4,9	4,9
HT	Head Tube	cm	11,3	11,3	13,8	15,2	17,0	19,4	19,4

RECOMENDED FRAME SIZE/INSEAM HIGH CHART

45 60 / 65 cm.

48 66 / 75 cm.

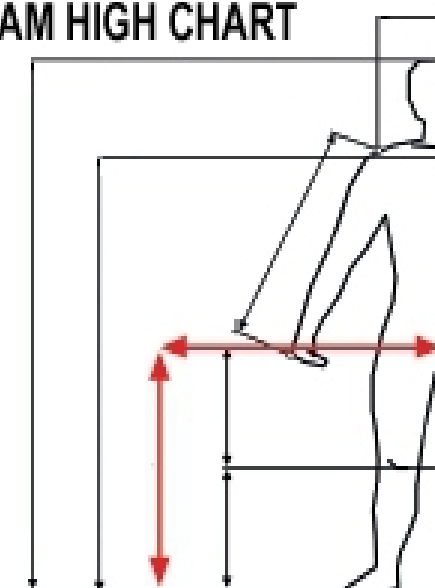
51 76 / 79 cm.

53 80 / 83 cm.

56 84 / 86 cm.

58 87 / 89 cm.

61 90 / 95 cm.



COMPONENTS:

Components: Microtech SL white components, Aspide Saddle, Michelin Pro Race tires

optional wheels, M1/Carbon clincher, M1/Carbon tubular, M1/Alloy Carbon clincher, Microtech MCT

group	SUPER RECORD EPS	12-27	34-50	39-53
group	DURA ACE Di2	12-27	34-50	39-53
group	ULTEGRA Di2	11-28	34-50	39-53
group	SUPER RECORD	12-27	34-50	39-53
group	DURA ACE	12-27	34-50	39-53
group	SRAM RED 22 (disc)	11-28	50-34	39-53
group	CHORUS	12-27	34-50	39-53
group	ULTEGRA	11-28	34-50	39-53